

Portable PA Systems

EUROPORT EPA300

Ultra-Compact 300-Watt 6-Channel Portable PA System with Digital Effects and FBQ Feedback Detection

- Ultra-compact 300-Watt, 6-channel portable PA system
- Enormous power, incredible sonic performance, and super-light weight means no more lugging around dead weight
- Extremely powerful 8" woofers and 1.35" aluminum-diaphragm compression drivers for incredible sound reproduction
- Studio-grade 24-bit stereo FX processor with 100 awesome presets including reverb, chorus, flanger, delay, pitch shifter and various multi-effects
- Revolutionary FBQ Feedback Detection system instantly reveals critical frequencies for easy feedback removal
- 6-channel mixer section features 2 mono and 2 stereo channels plus separate CD inputs
- 2 high-quality mic preamps with switchable +48 V phantom power for condenser microphones
- Effective, extremely musical 2-band EQ, switchable Pad and Clip LEDs on all mono channels
- Stereo 5-band graphic EQ allows precise frequency correction of main outputs
- Voice Canceller function removes singer's voice from recordings for Karaoke applications



Looking for a supremely portable PA system? The new EPA300 from BEHRINGER sets up in less than two minutes and delivers articulate, high fidelity performance. With its twin 150-Watt amplifiers and custom-designed, 2-way loudspeakers, the EPA300 can fill a small-to medium-sized room or project your voice for an incredible distance outdoors.

All the accessories you'll need are included in a convenient, easy to transport and set up package—and the good news is you don't have to be a sound engineer to run it!

Superb Sound Quality

Since we already make some of the best-sounding audio mixers, amplifiers and loudspeakers on the planet, it should come as no surprise that the EPA300 provides far superior sound quality than other products in this

class. The two satellite speakers feature custom-designed 8" woofers and 1.35" aluminum-diaphragm compression drivers for incredible fidelity and clarity you might not expect from a loudspeaker system this small! Control Freak...

Channels 1–2 feature our high-quality Invisible Mic Preamps (IMP), which have been praised for their transparency and headroom. A Level control is provided with a Clip LED, so you can dial in the perfect signal level. We've also provided a Pad switch for those occasions when you have to contend with "hotter" than normal input levels.

Phantom Power is available, so you can use studio-grade condenser mics. Overall system response is handled by a 5-band stereo graphic EQ, and our proprietary FBQ Feedback Detection System helps you track and eliminate those annoying mic squeals.

Continued on next page



EUROPORT EPA300

- Comes with one BEHRINGER XM1800S microphone, mic clip and 20' cables
- Integrated storage compartment for microphone, cables, and accessories
- “Planet Earth” switching power supply for maximum flexibility (100 - 240 V~), noise-free audio, superior transient response plus low power consumption for energy savings
- High-quality components and exceptionally rugged construction ensure long life
- Conceived and designed by BEHRINGER Germany

Additionally, each input channel has a two-band EQ (Bass and Treble), Balance (allowing you to place the signal wherever you want within the stereo image) and an Effects level control. It is important to note that while some of our competitors only provide a reverb switch, the EPA300 features an EFFECTS send level control per channel with 100 state-of-the-art 24-bit digital FX to choose from. FX can be turned off/on via any standard footswitch (not included).

Speaking of FX...

If you're making a speech, chances are you won't need it, but if you're playing a musical instrument and/or singing, you might want to add some effects. So, we've included a 24-bit stereo FX processor with 100 great-sounding presets including reverb, chorus, flanger, delay, pitch shifter and various multi-effects to sweeten your performance. And if you want to sing along

with pre-recorded tapes or CDs, the EPA300's Voice Canceller function can remove virtually all the vocals from tracks played back through channels 5/6 with the simple flick of a switch.

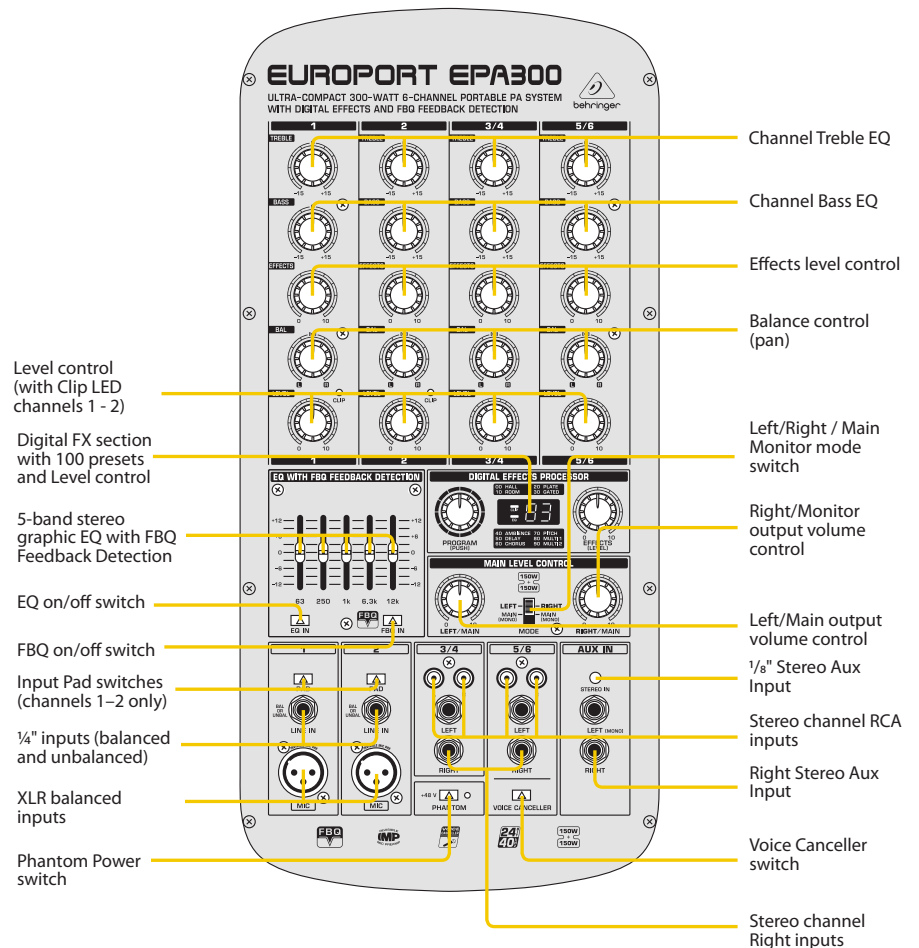
It's All About Connections

The EPA300 comes ready for your input, literally. Channels 1-2 accept balanced XLR mics, as well as balanced and unbalanced 1/4" line-level sources, such as electronic keyboards and the like. Stereo channels 3/4 and 5/6 accommodate RCA and 1/4" unbalanced inputs, such as drum machines, keyboard sound modules, etc. All in all, there are enough mic and line-level inputs to handle a small band.

A Bonus Channel?

Want to play some of your favorite tunes at the company party? Just plug a CD/MP3 player into the 1/8" Stereo Aux Inputs and crank it up! You don't even have to give up a channel, just control

Continued on next page



EUROPORT EPA300

the volume from the player. It's like getting eight channels for the price of six! And the 1/4" Aux Inputs can also be used to connect a broad range of professional audio devices, such as tape decks, karaoke machines, etc. Need even more input channels? Just connect an external mixer to the Aux inputs – the EPA900 offers unbridled versatility.

Everything You Need

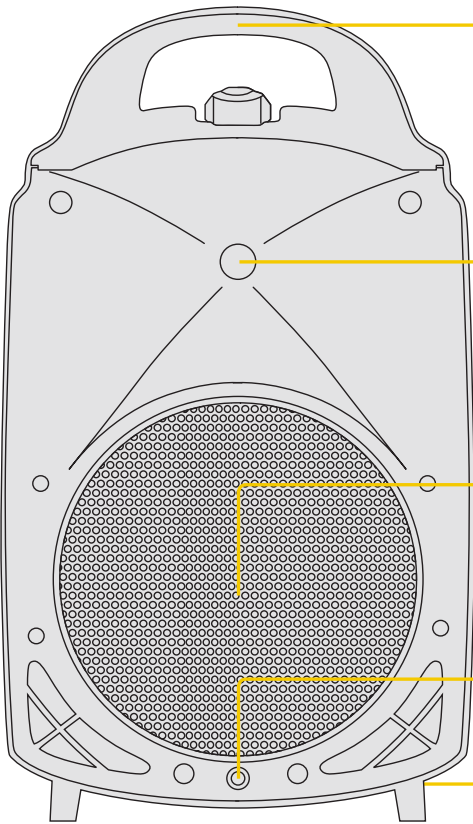
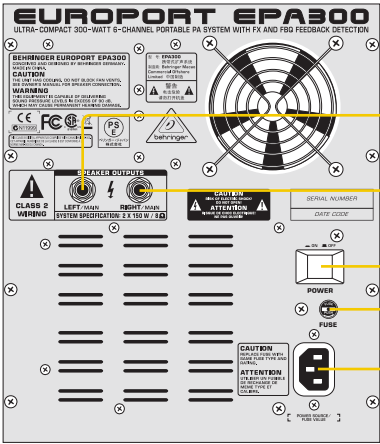
The EPA300 is a complete system. Just set up the main unit on a tabletop, deploy the speakers and connect them with the included cables. Connect the high-quality dynamic microphone and hit the power switch—voilà, instant PA system! There is even an onboard storage compartment for the included microphone, accessories and cabling.

Value

Whether you're making announcements and playing background music at the company picnic or rockin' out at the neighborhood coffee house, we think you will agree the EPA300 provides extreme value as a complete, portable PA solution. Compare it to the competition and you'll own BEHRINGER.

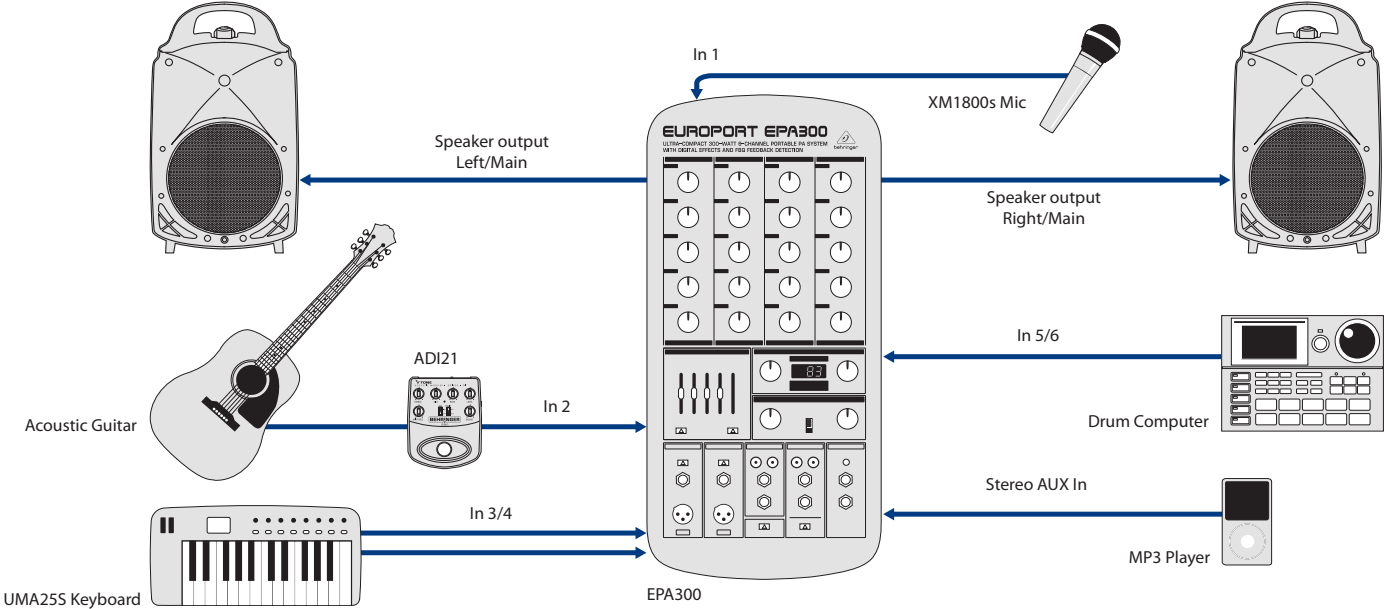


At just 45.3 lbs. (20.6 kg), the EPA300 is a high-quality audio solution on wheels!

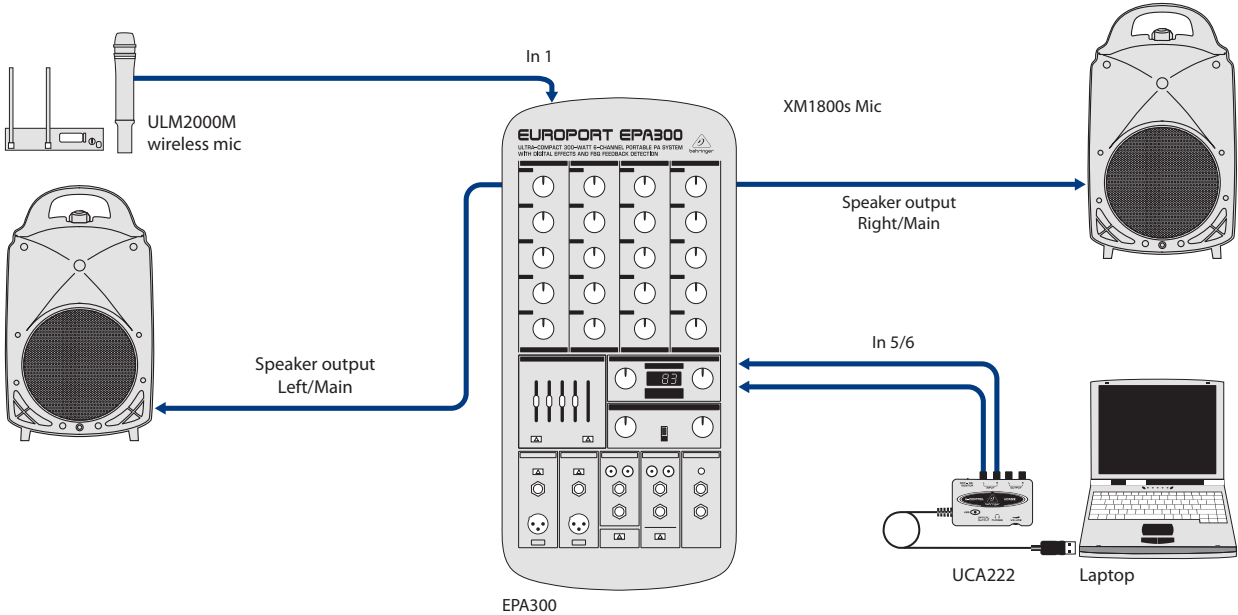


EUROPORT EPA300

Live Performance Setup



Business Presentation Setup



EUROPORT EPA300

INPUTS

Type	XLR, balanced, ¼" TRS, balanced ¼", unbalanced, ⅛" TRS, RCA
------	---

LOUDSPEAKER OUTPUTS

Type	¼" TS speaker outputs L/R
Load impedance	8 Ω

OUTPUT POWER

RMS (@ 8 Ω)	2 x 130 Watts
Peak (@ 8 Ω)	2 x 150 Watts

SPEAKERS

Woofers	8.0" / 217 mm
Tweeter	1.35" / 34 mm

SYSTEM SPECIFICATIONS

Frequency response	50 Hz to 25 kHz
Distortion (THD + N)	<0.8% THD @ 120 Watts
Signal-to-noise ratio	90 dB, A-weighted

POWER SUPPLY (FUSES)

USA / Canada	120 V~, 60 Hz (F 5.0 A H 250 V)
UK / Australia	240 V~, 50 Hz (F 3.15 A H 250 V)
Europe	230 V~, 50 Hz (F 3.15 A H 250 V)
Japan	100 V~, 50-60 Hz (F 5.0 A H 250 V)
Power consumption	max. 320 Watts
Mains connection	Standard IEC receptacle

Dimensions/Weight

Dimensions (H x W x D)	approx. 26.5 x 20.5 x 12" approx. 672 x 520 x 304 mm
Weight	45.3 lbs / 20.6 kg

Please note these specifications are preliminary and conceptual in nature, and as such are subject to change as product development progresses. This information is supplied for market research purposes only and is not to be made public in any manner. This document is solely the property of The MUSIC Group, or one of its subsidiaries, and must be surrendered upon request of the owner.

For service, support or more information contact the BEHRINGER location nearest you:

Europe Tel.: +49 2154 9206 4149
Fax: +49 2154 9206 4199

USA/Canada Tel.: +1 425 672 0816
Fax: +1 425 673 7647

Singapore Tel.: +65 6845 1800
Fax: +65 6214 0275

Australia Tel.: +61 03 9877 7170
Fax: +61 03 9877 7870

Japan Tel.: +81 3 5281 1180
Fax: +81 3 5281 1181

©2011 Red Chip Company Ltd. Technical specifications and appearance subject to change without notice. The information contained herein is correct at the time of printing. All trademarks are the property of their respective owners. BEHRINGER accepts no liability for any loss which may be suffered by any person who relies either wholly or in part upon any description, photograph or statement contained herein. 985-10000-00444

behringer.com

